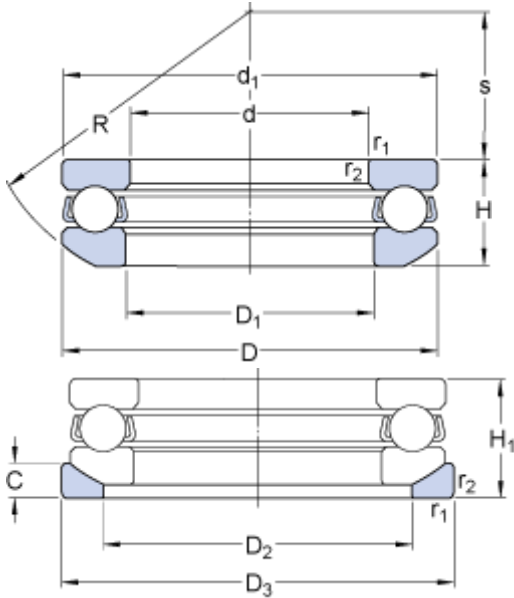


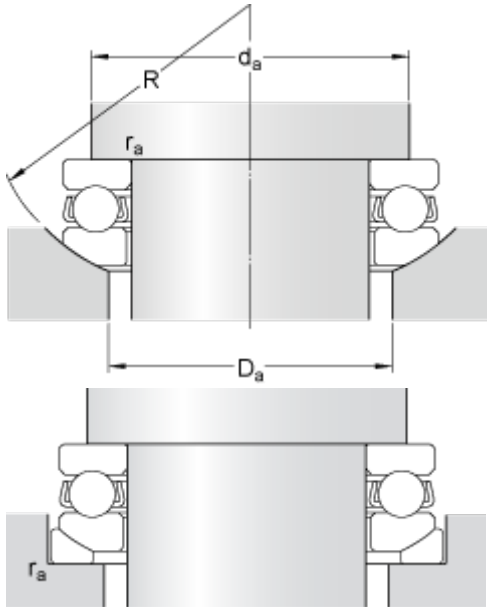
53204 + U 204

Dimensions



d		20	mm
D		40	mm
H		14.7	mm
H ₁		17	mm
d ₁	≈	40	mm
D ₁	≈	22	mm
D ₂		30	mm
D ₃		42	mm
C		5	mm
R		36	mm
s		18	mm
r _{1,2}	min.	0.6	mm

Abutment dimensions



d _a	min.	32	mm
D _a	max.	30	mm
r _a	max.	0.6	mm

Calculation data

Basic dynamic load rating	C	21.2	kN
Basic static load rating	C	37.5	kN
Fatigue load limit	P _u	1.4	kN
Reference speed		5600	r/min
Limiting speed		8000	r/min
Minimum load factor	A	0.0085	

Mass

Mass bearing (including seat washer where applicable)		0.1	kg
---	--	-----	----

