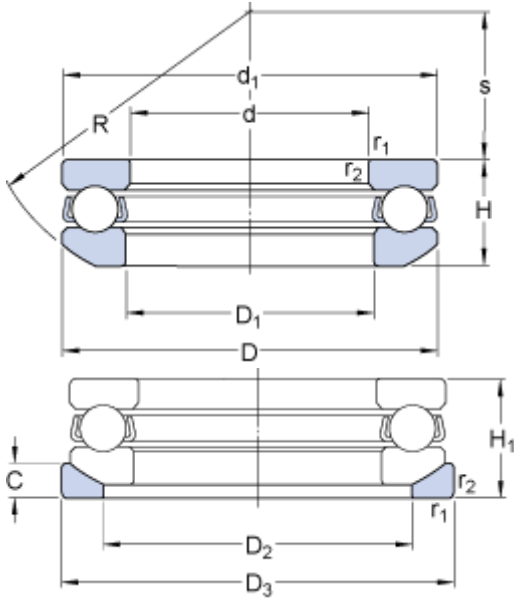


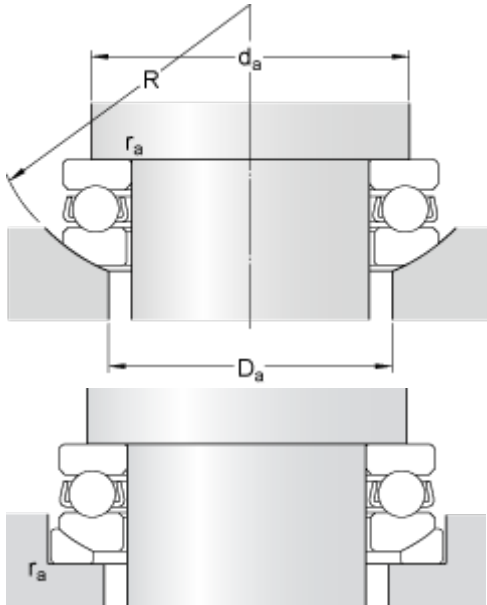
# 53202 + U 202

## Dimensions



d		15	mm
D		32	mm
H		13.3	mm
H <sub>1</sub>		15	mm
d <sub>1</sub>	≈	32	mm
D <sub>1</sub>	≈	17	mm
D <sub>2</sub>		24	mm
D <sub>3</sub>		35	mm
C		4	mm
R		28	mm
s		12	mm
r <sub>1,2</sub>	min.	0.6	mm

## Abutment dimensions



d <sub>a</sub>	min.	25	mm
D <sub>a</sub>	max.	24	mm
r <sub>a</sub>	max.	0.6	mm

## Calculation data

Basic dynamic load rating	C	15.9	kN
Basic static load rating	C	25	kN
Fatigue load limit	P <sub>u</sub>	0.915	kN
Reference speed		7000	r/min
Limiting speed		10000	r/min
Minimum load factor	A	0.0038	

## Mass

Mass bearing (including seat washer where applicable)		0.063	kg
---	--	-------	----

