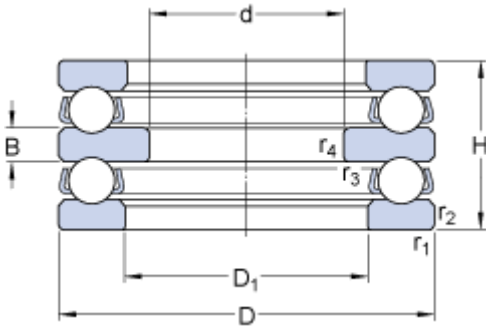


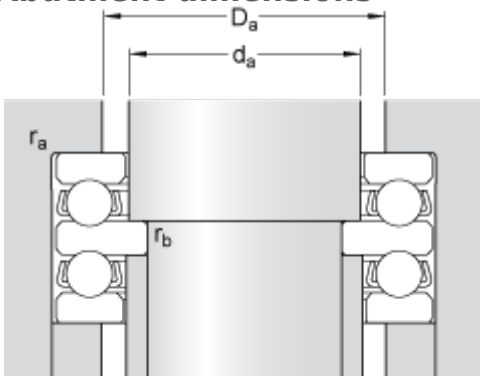
52315

Dimensions



d		60	mm
D		135	mm
H		79	mm
D ₁	≈	77	mm
B		18	mm
r _{1,2}	min.	1.5	mm
r _{3,4}	min.	1	mm

Abutment dimensions



d _a		75	mm
D _a	max.	99	mm
r _a	max.	1.5	mm
r _b	max.	1	mm

Calculation data

Basic dynamic load rating	C	163	kN
Basic static load rating	C	390	kN
Fatigue load limit	P _u	14	kN
Reference speed		1300	r/min
Limiting speed		1800	r/min
Minimum load factor	A	0.79	

Mass

Mass bearing (including seat washer where applicable)		4.8	kg
---	--	-----	----