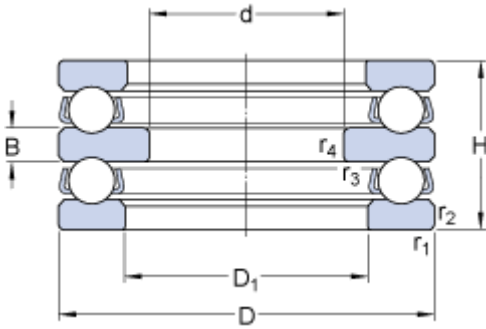


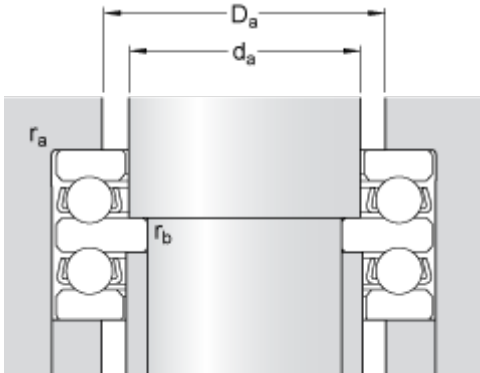
52309

Dimensions



d		35	mm
D		85	mm
H		52	mm
D_1	\approx	47	mm
B		12	mm
$r_{1,2}$	min.	1	mm
$r_{3,4}$	min.	0.6	mm

Abutment dimensions



d_a		46	mm
D_a	max.	61	mm
r_a	max.	1	mm
r_b	max.	0.6	mm

Calculation data

Basic dynamic load rating	C	76.1	kN
Basic static load rating	C	153	kN
Fatigue load limit	P_u	5.6	kN
Reference speed		2000	r/min
Limiting speed		2800	r/min
Minimum load factor	A	0.12	

Mass

Mass bearing (including seat washer where applicable)		1.25	kg
---	--	------	----