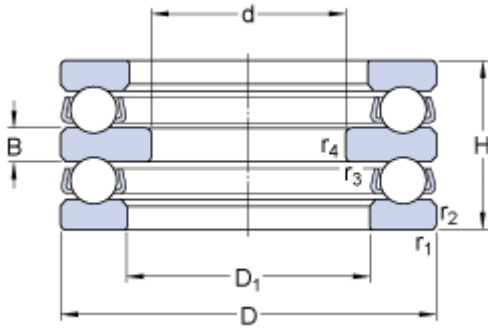


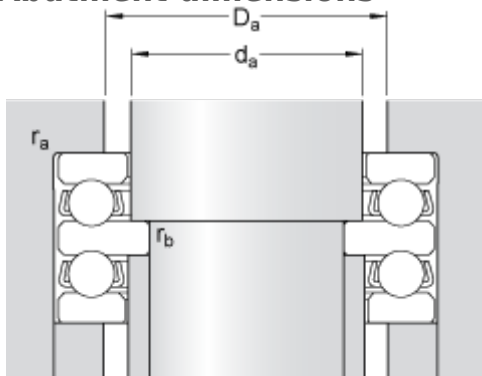
# 52306

## Dimensions



d		25	mm
D		60	mm
H		38	mm
D <sub>1</sub>	≈	32	mm
B		9	mm
r <sub>1,2</sub>	min.	1	mm
r <sub>3,4</sub>	min.	0.3	mm

## Abutment dimensions



d <sub>a</sub>		30	mm
D <sub>a</sub>	max.	42	mm
r <sub>a</sub>	max.	1	mm
r <sub>b</sub>	max.	0.3	mm

## Calculation data

Basic dynamic load rating	C	35.8	kN
Basic static load rating	C	65.5	kN
Fatigue load limit	P <sub>u</sub>	2.4	kN
Reference speed		2800	r/min
Limiting speed		4000	r/min
Minimum load factor	A	0.026	

## Mass

Mass bearing (including seat washer where applicable)		0.47	kg
---	--	------	----