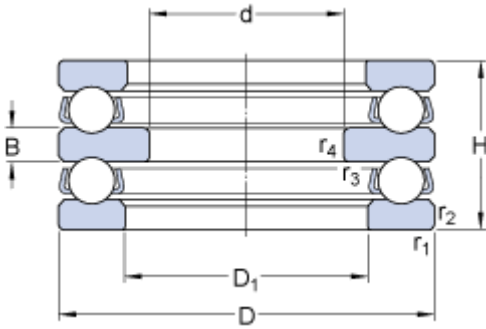


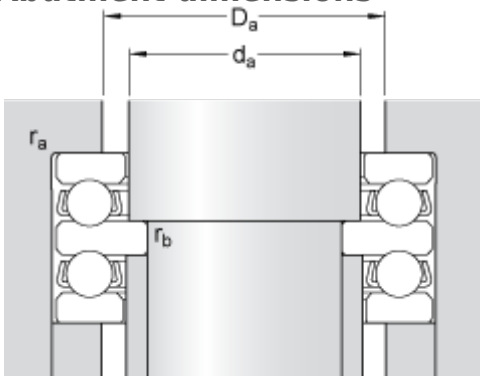
# 52213

## Dimensions



$d$		55	mm
$D$		100	mm
$H$		47	mm
$D_1$	$\approx$	67	mm
$B$		10	mm
$r_{1,2}$	min.	1	mm
$r_{3,4}$	min.	0.6	mm

## Abutment dimensions



$d_a$		65	mm
$D_a$	max.	79	mm
$r_a$	max.	1	mm
$r_b$	max.	0.6	mm

## Calculation data

Basic dynamic load rating	C	60.5	kN
Basic static load rating	C	150	kN
Fatigue load limit	$P_u$	5.5	kN
Reference speed		2000	r/min
Limiting speed		2800	r/min
Minimum load factor	A	0.14	

## Mass

Mass bearing (including seat washer where applicable)		1.35	kg
---	--	------	----