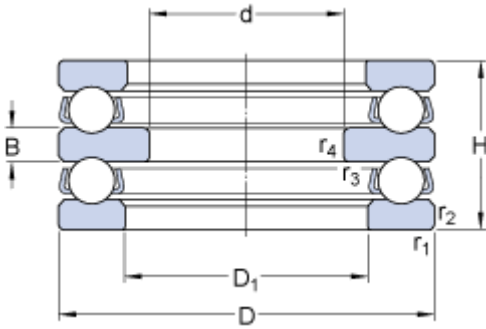


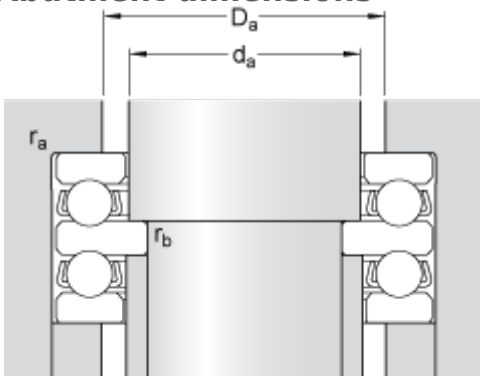
52211

Dimensions



d		45	mm
D		90	mm
H		45	mm
D ₁	≈	57	mm
B		10	mm
r _{1,2}	min.	1	mm
r _{3,4}	min.	0.6	mm

Abutment dimensions



d _a		55	mm
D _a	max.	69	mm
r _a	max.	1	mm
r _b	max.	0.6	mm

Calculation data

Basic dynamic load rating	C	58.5	kN
Basic static load rating	C	134	kN
Fatigue load limit	P _u	4.9	kN
Reference speed		2200	r/min
Limiting speed		3000	r/min
Minimum load factor	A	0.11	

Mass

Mass bearing (including seat washer where applicable)	1.1	kg
---	-----	----