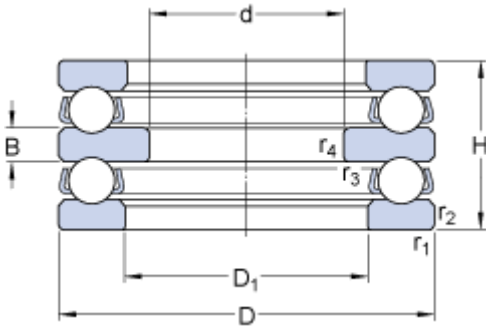


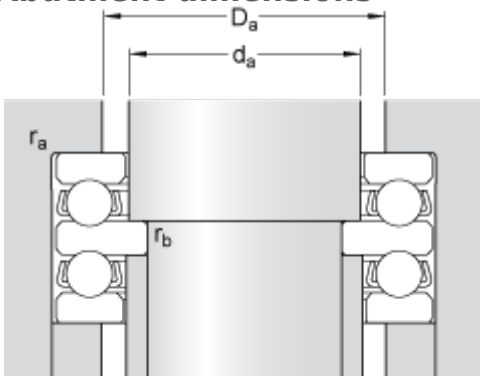
# 52205

## Dimensions



d		20	mm
D		47	mm
H		28	mm
D <sub>1</sub>	≈	27	mm
B		7	mm
r <sub>1,2</sub>	min.	0.6	mm
r <sub>3,4</sub>	min.	0.3	mm

## Abutment dimensions



d <sub>a</sub>		25	mm
D <sub>a</sub>	max.	34	mm
r <sub>a</sub>	max.	0.6	mm
r <sub>b</sub>	max.	0.3	mm

## Calculation data

Basic dynamic load rating	C	26.5	kN
Basic static load rating	C	50	kN
Fatigue load limit	P <sub>u</sub>	1.86	kN
Reference speed		3800	r/min
Limiting speed		5300	r/min
Minimum load factor	A	0.015	

## Mass

Mass bearing (including seat washer where applicable)		0.22	kg
---	--	------	----