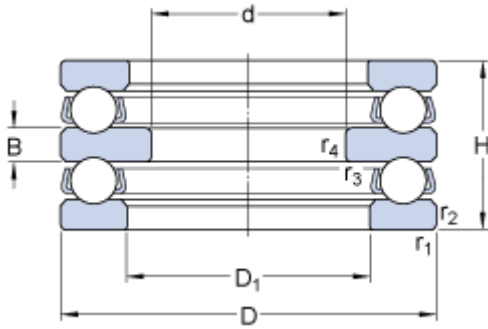


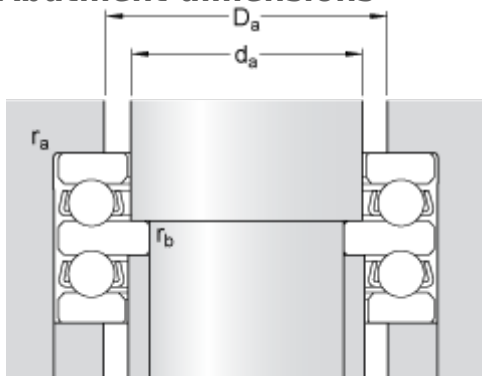
52204

Dimensions



d		15	mm
D		40	mm
H		26	mm
D ₁	≈	22	mm
B		6	mm
r _{1,2}	min.	0.6	mm
r _{3,4}	min.	0.3	mm

Abutment dimensions



d _a		20	mm
D _a	max.	28	mm
r _a	max.	0.6	mm
r _b	max.	0.3	mm

Calculation data

Basic dynamic load rating	C	21.2	kN
Basic static load rating	C	37.5	kN
Fatigue load limit	P _u	1.4	kN
Reference speed		4300	r/min
Limiting speed		6000	r/min
Minimum load factor	A	0.0085	

Mass

Mass bearing (including seat washer where applicable)		0.15	kg
---	--	------	----