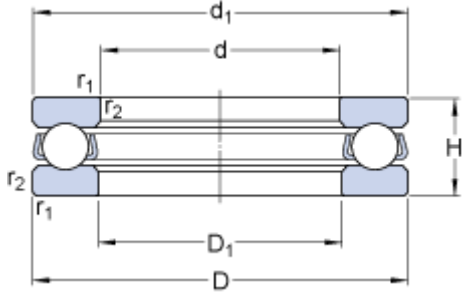


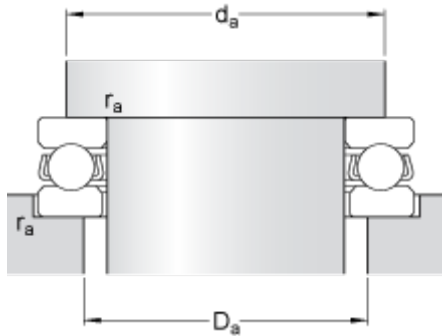
# 51410

## Dimensions



d	50	mm
D	110	mm
H	43	mm
d <sub>1</sub>	≈ 110	mm
D <sub>1</sub>	≈ 52	mm
r <sub>1,2</sub>	min. 1.5	mm

## Abutment dimensions



d <sub>a</sub>	min.	86	mm
D <sub>a</sub>	max.	74	mm
r <sub>a</sub>	max.	1.5	mm

## Calculation data

Basic dynamic load rating	C	159	kN
Basic static load rating	C	340	kN
Fatigue load limit	P <sub>u</sub>	12.5	kN
Reference speed		2000	r/min
Limiting speed		2800	r/min
Minimum load factor	A	0.6	

## Mass

Mass bearing (including seat washer where applicable)	2	kg
-------------------------------------------------------	---	----