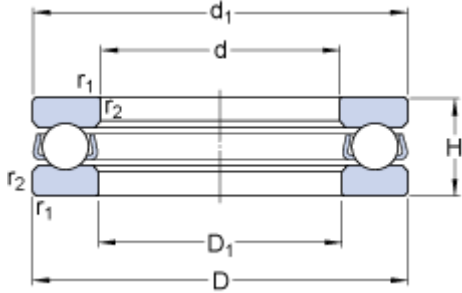


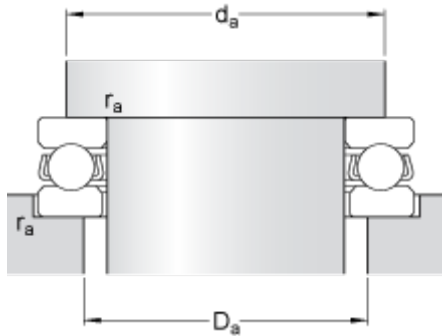
51409

Dimensions



d		45	mm
D		100	mm
H		39	mm
d ₁	≈	100	mm
D ₁	≈	47	mm
r _{1,2}	min.	1.1	mm

Abutment dimensions



d _a	min.	78	mm
D _a	max.	67	mm
r _a	max.	1	mm

Calculation data

Basic dynamic load rating	C	124	kN
Basic static load rating	C	240	kN
Fatigue load limit	P _u	9	kN
Reference speed		2200	r/min
Limiting speed		3000	r/min
Minimum load factor	A	0.37	

Mass

Mass bearing (including seat washer where applicable)		1.4	kg
---	--	-----	----