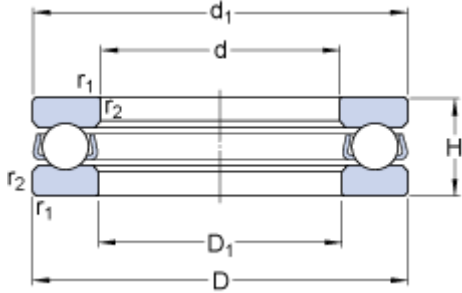


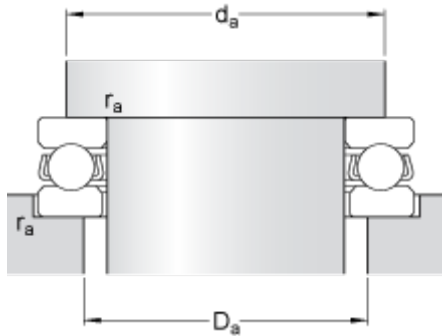
51408

Dimensions



d	40	mm
D	90	mm
H	36	mm
d ₁	≈ 90	mm
D ₁	≈ 42	mm
r _{1,2}	min. 1.1	mm

Abutment dimensions



d _a	min. 70	mm
D _a	max. 60	mm
r _a	max. 1	mm

Calculation data

Basic dynamic load rating	C	95.6	kN
Basic static load rating	C	183	kN
Fatigue load limit	P _u	6.8	kN
Reference speed		2400	r/min
Limiting speed		3400	r/min
Minimum load factor	A	0.26	

Mass

Mass bearing (including seat washer where applicable)	1.1	kg
---	-----	----