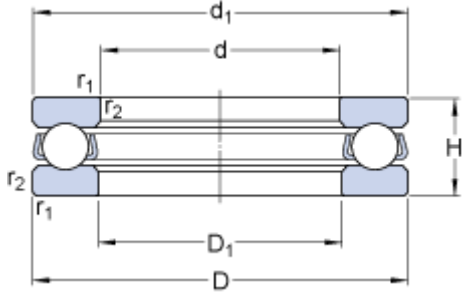


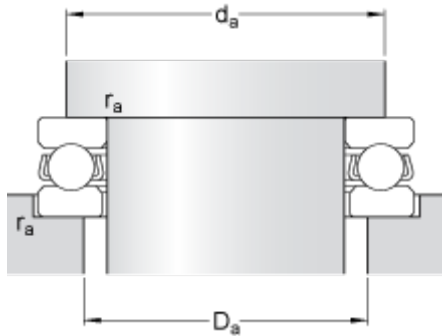
# 51407

## Dimensions



d	35	mm
D	80	mm
H	32	mm
d <sub>1</sub>	≈ 80	mm
D <sub>1</sub>	≈ 37	mm
r <sub>1,2</sub>	min. 1.1	mm

## Abutment dimensions



d <sub>a</sub>	min. 62	mm
D <sub>a</sub>	max. 53	mm
r <sub>a</sub>	max. 1	mm

## Calculation data

Basic dynamic load rating	C	76.1	kN
Basic static load rating	C	137	kN
Fatigue load limit	P <sub>u</sub>	5.1	kN
Reference speed		2600	r/min
Limiting speed		3600	r/min
Minimum load factor	A	0.15	

## Mass

Mass bearing (including seat washer where applicable)		0.79	kg
---	--	------	----