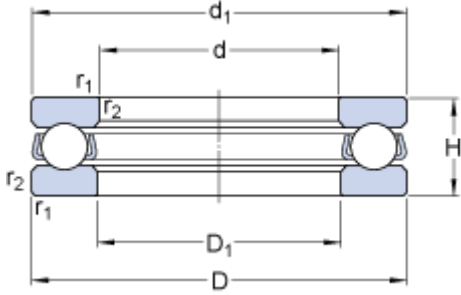


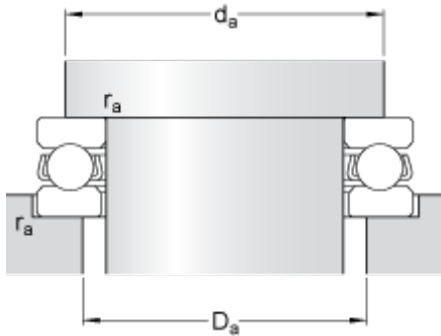
# 51316

## Dimensions



d	80	mm
D	140	mm
H	44	mm
d <sub>1</sub>	≈ 140	mm
D <sub>1</sub>	≈ 82	mm
r <sub>1,2</sub>	min. 1.5	mm

## Abutment dimensions



d <sub>a</sub>	min. 116	mm
D <sub>a</sub>	max. 104	mm
r <sub>a</sub>	max. 1.5	mm

## Calculation data

Basic dynamic load rating	C	159	kN
Basic static load rating	C	390	kN
Fatigue load limit	P <sub>u</sub>	13.7	kN
Reference speed		1700	r/min
Limiting speed		2400	r/min
Minimum load factor	A	0.79	

## Mass

Mass bearing (including seat washer where applicable)	2.7	kg
---	-----	----