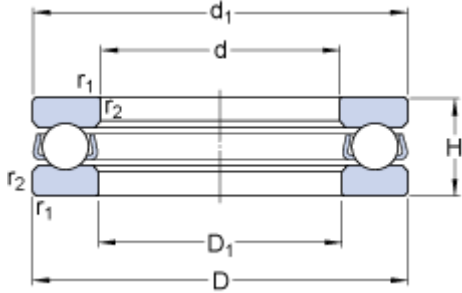


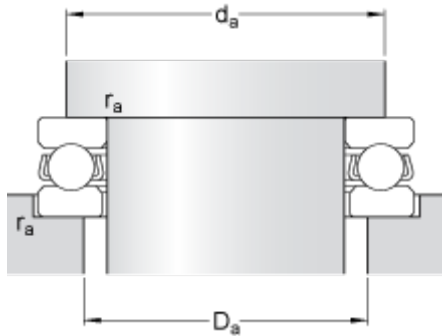
# 51314

## Dimensions



d		70	mm
D		125	mm
H		40	mm
d <sub>1</sub>	≈	125	mm
D <sub>1</sub>	≈	72	mm
r <sub>1,2</sub>	min.	1.1	mm

## Abutment dimensions



d <sub>a</sub>	min.	103	mm
D <sub>a</sub>	max.	92	mm
r <sub>a</sub>	max.	1	mm

## Calculation data

Basic dynamic load rating	C	135	kN
Basic static load rating	C	320	kN
Fatigue load limit	P <sub>u</sub>	11.8	kN
Reference speed		1900	r/min
Limiting speed		2600	r/min
Minimum load factor	A	0.53	

## Mass

Mass bearing (including seat washer where applicable)	2	kg
---	---	----