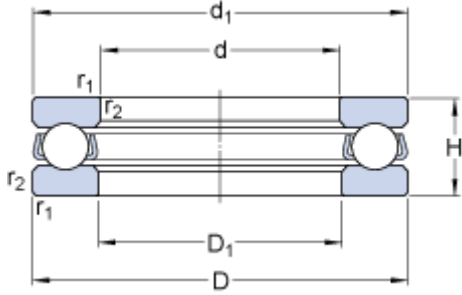


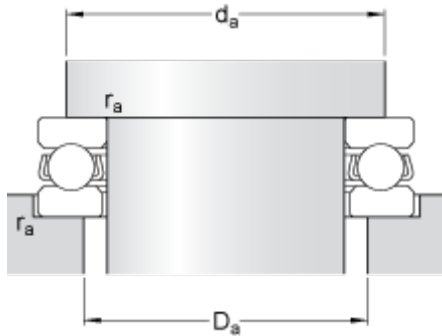
# 51312

## Dimensions



d	60	mm
D	110	mm
H	35	mm
d <sub>1</sub>	≈ 110	mm
D <sub>1</sub>	≈ 62	mm
r <sub>1,2</sub>	min. 1.1	mm

## Abutment dimensions



d <sub>a</sub>	min. 90	mm
D <sub>a</sub>	max. 80	mm
r <sub>a</sub>	max. 1	mm

## Calculation data

Basic dynamic load rating	C	101	kN
Basic static load rating	C	224	kN
Fatigue load limit	P <sub>u</sub>	8.3	kN
Reference speed		2200	r/min
Limiting speed		3000	r/min
Minimum load factor	A	0.26	

## Mass

Mass bearing (including seat washer where applicable)	1.35	kg
---	------	----