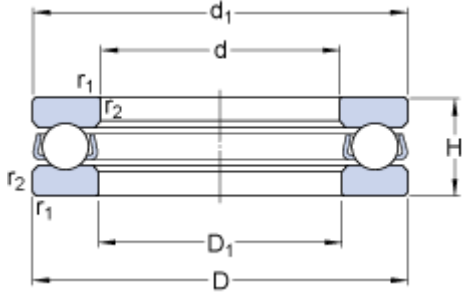


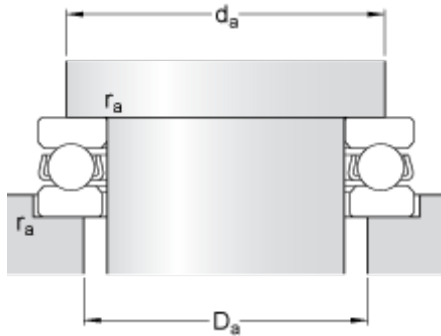
51310

Dimensions



d		50	mm
D		95	mm
H		31	mm
d_1	≈	95	mm
D_1	≈	52	mm
$r_{1,2}$	min.	1.1	mm

Abutment dimensions



d_a	min.	77	mm
D_a	max.	68	mm
r_a	max.	1	mm

Calculation data

Basic dynamic load rating	C	81.9	kN
Basic static load rating	C	170	kN
Fatigue load limit	P_u	6.3	kN
Reference speed		2600	r/min
Limiting speed		3600	r/min
Minimum load factor	A	0.19	

Mass

Mass bearing (including seat washer where applicable)		0.94	kg
---	--	------	----