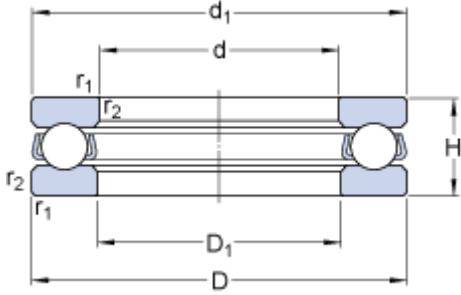


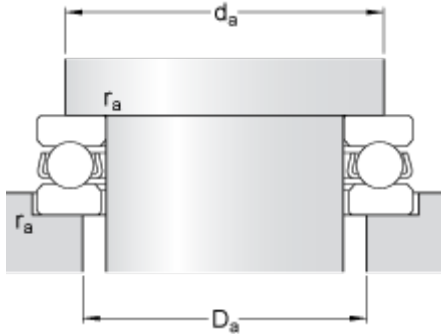
# 51308

## Dimensions



|                  |      |    |    |
|------------------|------|----|----|
| d                |      | 40 | mm |
| D                |      | 78 | mm |
| H                |      | 26 | mm |
| d <sub>1</sub>   | ≈    | 78 | mm |
| D <sub>1</sub>   | ≈    | 42 | mm |
| r <sub>1,2</sub> | min. | 1  | mm |

## Abutment dimensions



|                |      |    |    |
|----------------|------|----|----|
| d <sub>a</sub> | min. | 63 | mm |
| D <sub>a</sub> | max. | 55 | mm |
| r <sub>a</sub> | max. | 1  | mm |

## Calculation data

|                           |                |       |       |
|---------------------------|----------------|-------|-------|
| Basic dynamic load rating | C              | 61.8  | kN    |
| Basic static load rating  | C              | 122   | kN    |
| Fatigue load limit        | P <sub>u</sub> | 4.5   | kN    |
| Reference speed           |                | 3000  | r/min |
| Limiting speed            |                | 4300  | r/min |
| Minimum load factor       | A              | 0.077 |       |

## Mass

|   |  |      |    |
|---|--|------|----|
| Mass bearing (including seat washer where applicable) |  | 0.53 | kg |
|---|--|------|----|