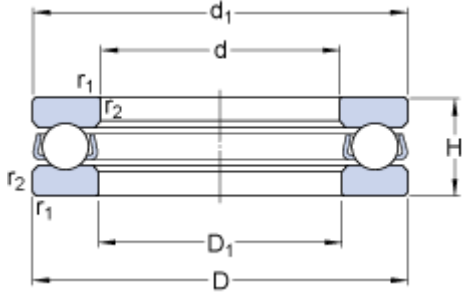


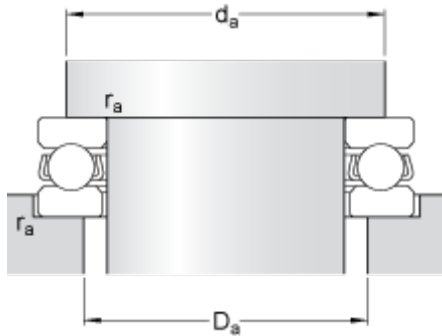
51307

Dimensions



d		35	mm
D		68	mm
H		24	mm
d ₁	≈	68	mm
D ₁	≈	37	mm
r _{1,2}	min.	1	mm

Abutment dimensions



d _a	min.	55	mm
D _a	max.	48	mm
r _a	max.	1	mm

Calculation data

Basic dynamic load rating	C	49.4	kN
Basic static load rating	C	96.5	kN
Fatigue load limit	P _u	3.55	kN
Reference speed		3400	r/min
Limiting speed		4800	r/min
Minimum load factor	A	0.048	

Mass

Mass bearing (including seat washer where applicable)		0.39	kg
---	--	------	----