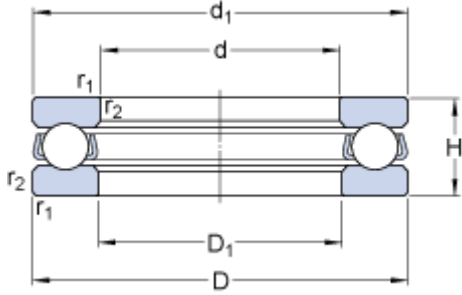


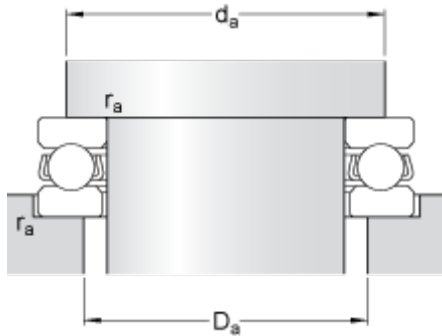
51220

Dimensions



d		100	mm
D		150	mm
H		38	mm
d ₁	≈	150	mm
D ₁	≈	103	mm
r _{1,2}	min.	1.1	mm

Abutment dimensions



d _a	min.	130	mm
D _a	max.	120	mm
r _a	max.	1	mm

Calculation data

Basic dynamic load rating	C	119	kN
Basic static load rating	C	325	kN
Fatigue load limit	P _u	10.8	kN
Reference speed		1800	r/min
Limiting speed		2400	r/min
Minimum load factor	A	0.62	

Mass

Mass bearing (including seat washer where applicable)	2.2	kg
---	-----	----