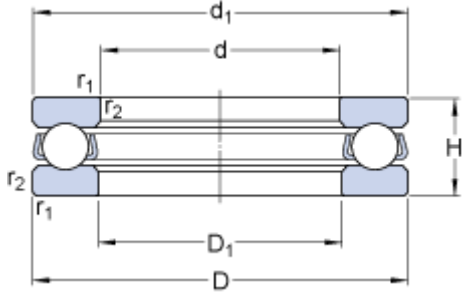


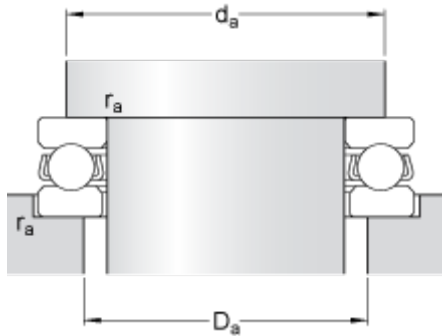
51217

Dimensions



d		85	mm
D		125	mm
H		31	mm
d_1	≈	125	mm
D_1	≈	88	mm
$r_{1,2}$	min.	1	mm

Abutment dimensions



d_a	min.	109	mm
D_a	max.	101	mm
r_a	max.	1	mm

Calculation data

Basic dynamic load rating	C	97.5	kN
Basic static load rating	C	275	kN
Fatigue load limit	P_u	9.8	kN
Reference speed		2200	r/min
Limiting speed		3000	r/min
Minimum load factor	A	0.39	

Mass

Mass bearing (including seat washer where applicable)		1.2	kg
---	--	-----	----