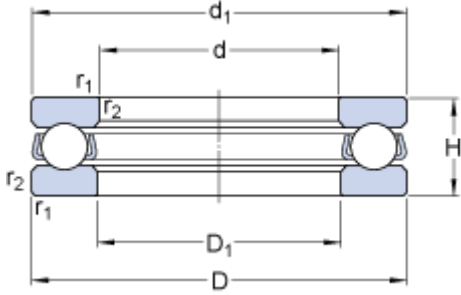


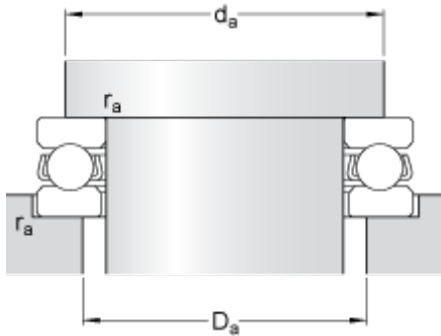
# 51215

## Dimensions



d		75	mm
D		110	mm
H		27	mm
d <sub>1</sub>	≈	110	mm
D <sub>1</sub>	≈	77	mm
r <sub>1,2</sub>	min.	1	mm

## Abutment dimensions



d <sub>a</sub>	min.	96	mm
D <sub>a</sub>	max.	89	mm
r <sub>a</sub>	max.	1	mm

## Calculation data

Basic dynamic load rating	C	63.7	kN
Basic static load rating	C	170	kN
Fatigue load limit	P <sub>u</sub>	6.2	kN
Reference speed		2400	r/min
Limiting speed		3400	r/min
Minimum load factor	A	0.17	

## Mass

Mass bearing (including seat washer where applicable)		0.83	kg
---	--	------	----