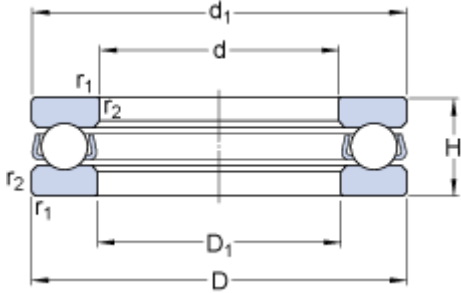


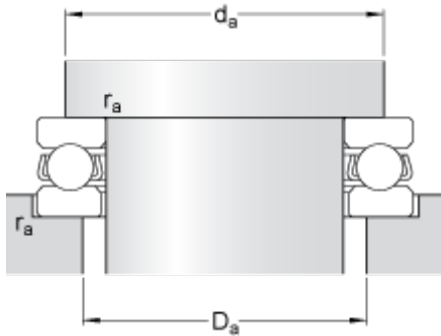
51209

Dimensions



d		45	mm
D		73	mm
H		20	mm
d ₁	≈	73	mm
D ₁	≈	47	mm
r _{1,2}	min.	1	mm

Abutment dimensions



d _a	min.	62	mm
D _a	max.	56	mm
r _a	max.	1	mm

Calculation data

Basic dynamic load rating	C	39	kN
Basic static load rating	C	86.5	kN
Fatigue load limit	P _u	3.2	kN
Reference speed		3600	r/min
Limiting speed		5000	r/min
Minimum load factor	A	0.038	

Mass

Mass bearing (including seat washer where applicable)		0.3	kg
---	--	-----	----