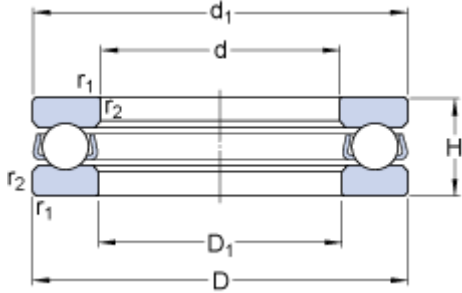


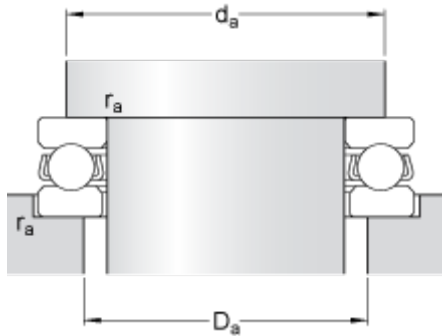
51208

Dimensions



| | | | |
|------------------|------|----|----|
| d | | 40 | mm |
| D | | 68 | mm |
| H | | 19 | mm |
| d ₁ | ≈ | 68 | mm |
| D ₁ | ≈ | 42 | mm |
| r _{1,2} | min. | 1 | mm |

Abutment dimensions



| | | | |
|----------------|------|----|----|
| d _a | min. | 57 | mm |
| D _a | max. | 51 | mm |
| r _a | max. | 1 | mm |

Calculation data

| | | | |
|---------------------------|----------------|-------|-------|
| Basic dynamic load rating | C | 44.2 | kN |
| Basic static load rating | C | 96.5 | kN |
| Fatigue load limit | P _u | 3.6 | kN |
| Reference speed | | 3800 | r/min |
| Limiting speed | | 5300 | r/min |
| Minimum load factor | A | 0.058 | |

Mass

| | | | |
|---|--|------|----|
| Mass bearing (including seat washer where applicable) | | 0.28 | kg |
|---|--|------|----|