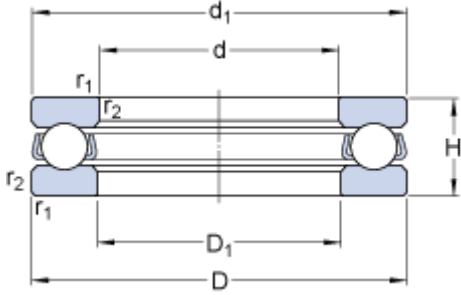


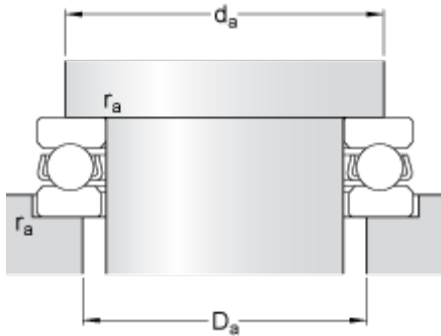
51206

Dimensions



d	30	mm
D	52	mm
H	16	mm
d ₁	≈ 52	mm
D ₁	≈ 32	mm
r _{1,2}	min. 0.6	mm

Abutment dimensions



d _a	min. 43	mm
D _a	max. 39	mm
r _a	max. 0.6	mm

Calculation data

Basic dynamic load rating	C	25.1	kN
Basic static load rating	C	51	kN
Fatigue load limit	P _u	1.86	kN
Reference speed		4800	r/min
Limiting speed		6700	r/min
Minimum load factor	A	0.013	

Mass

Mass bearing (including seat washer where applicable)	0.13	kg
---	------	----