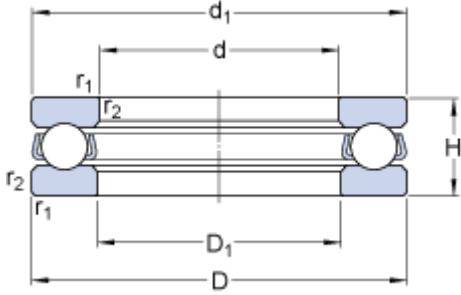


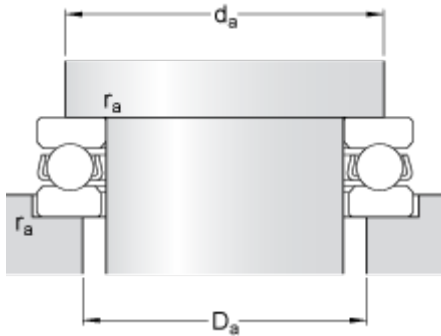
51205

Dimensions



| | | |
|------------------|----------|----|
| d | 25 | mm |
| D | 47 | mm |
| H | 15 | mm |
| d ₁ | ≈ 47 | mm |
| D ₁ | ≈ 27 | mm |
| r _{1,2} | min. 0.6 | mm |

Abutment dimensions



| | | |
|----------------|----------|----|
| d _a | min. 38 | mm |
| D _a | max. 34 | mm |
| r _a | max. 0.6 | mm |

Calculation data

| | | | |
|---------------------------|----------------|-------|-------|
| Basic dynamic load rating | C | 26.5 | kN |
| Basic static load rating | C | 50 | kN |
| Fatigue load limit | P _u | 1.86 | kN |
| Reference speed | | 5300 | r/min |
| Limiting speed | | 7500 | r/min |
| Minimum load factor | A | 0.015 | |

Mass

| | | |
|---|------|----|
| Mass bearing (including seat washer where applicable) | 0.11 | kg |
|---|------|----|