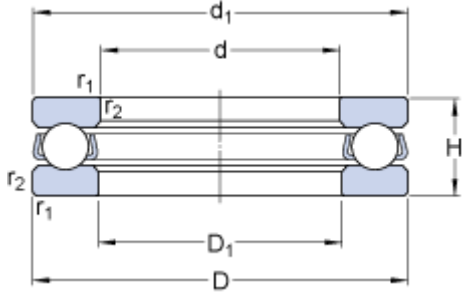


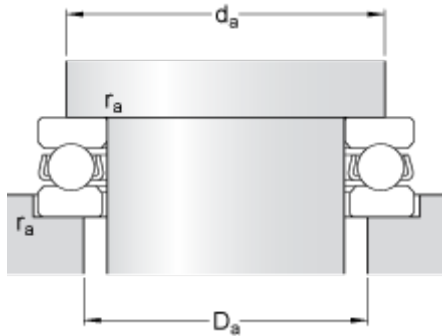
51203

Dimensions



d	17	mm
D	35	mm
H	12	mm
d ₁	≈ 35	mm
D ₁	≈ 19	mm
r _{1,2}	min. 0.6	mm

Abutment dimensions



d _a	min. 28	mm
D _a	max. 24	mm
r _a	max. 0.6	mm

Calculation data

Basic dynamic load rating	C	16.3	kN
Basic static load rating	C	27	kN
Fatigue load limit	P _u	1	kN
Reference speed		6700	r/min
Limiting speed		9500	r/min
Minimum load factor	A	0.0047	

Mass

Mass bearing (including seat washer where applicable)	0.053	kg
---	-------	----