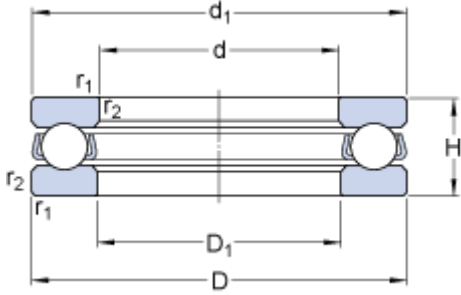


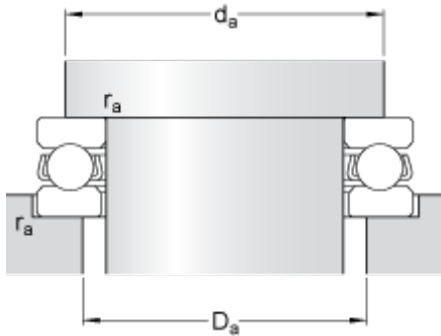
# 51201

## Dimensions



d		12	mm
D		28	mm
H		11	mm
d <sub>1</sub>	≈	28	mm
D <sub>1</sub>	≈	14	mm
r <sub>1,2</sub>	min.	0.6	mm

## Abutment dimensions



d <sub>a</sub>	min.	22	mm
D <sub>a</sub>	max.	18	mm
r <sub>a</sub>	max.	0.6	mm

## Calculation data

Basic dynamic load rating	C	13.3	kN
Basic static load rating	C	20.8	kN
Fatigue load limit	P <sub>u</sub>	0.765	kN
Reference speed		8000	r/min
Limiting speed		11000	r/min
Minimum load factor	A	0.0022	

## Mass

Mass bearing (including seat washer where applicable)		0.034	kg
---	--	-------	----