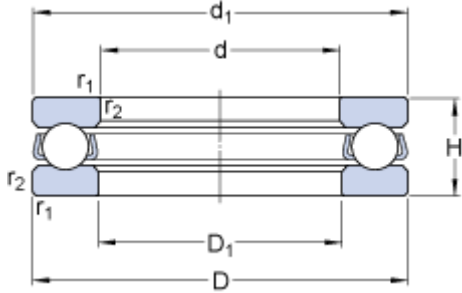


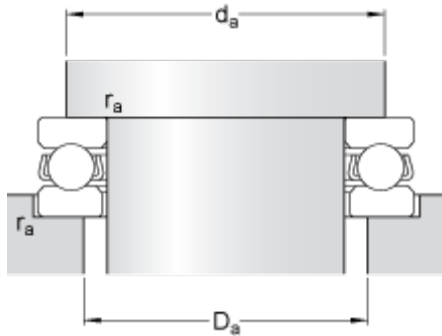
# 51126

## Dimensions



d		130	mm
D		170	mm
H		30	mm
d <sub>1</sub>	≈	170	mm
D <sub>1</sub>	≈	132	mm
r <sub>1,2</sub>	min.	1	mm

## Abutment dimensions



d <sub>a</sub>	min.	154	mm
D <sub>a</sub>	max.	146	mm
r <sub>a</sub>	max.	1	mm

## Calculation data

Basic dynamic load rating	C	119	kN
Basic static load rating	C	440	kN
Fatigue load limit	P <sub>u</sub>	13.4	kN
Reference speed		1900	r/min
Limiting speed		2600	r/min
Minimum load factor	A	0.94	

## Mass

Mass bearing (including seat washer where applicable)		1.85	kg
---	--	------	----