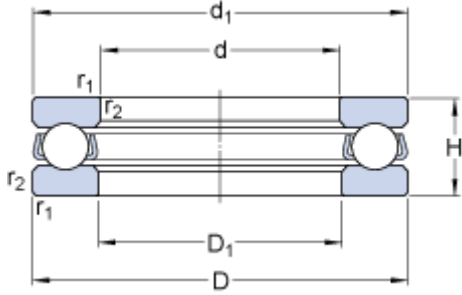


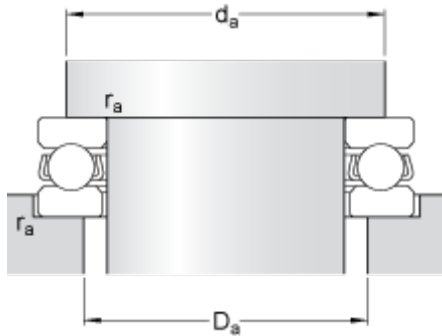
51124

Dimensions



d		120	mm
D		155	mm
H		25	mm
d ₁	≈	155	mm
D ₁	≈	122	mm
r _{1,2}	min.	1	mm

Abutment dimensions



d _a	min.	141	mm
D _a	max.	134	mm
r _a	max.	1	mm

Calculation data

Basic dynamic load rating	C	85.2	kN
Basic static load rating	C	305	kN
Fatigue load limit	P _u	9.65	kN
Reference speed		2200	r/min
Limiting speed		3000	r/min
Minimum load factor	A	0.58	

Mass

Mass bearing (including seat washer where applicable)		1.15	kg
---	--	------	----