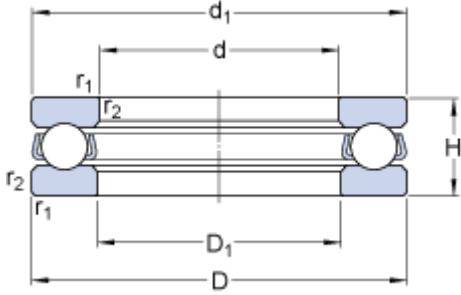


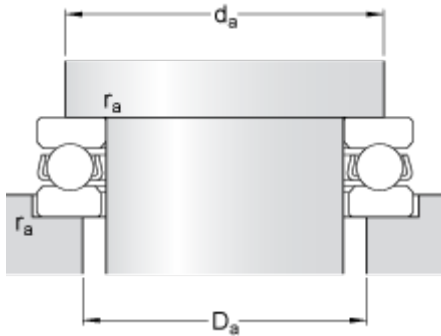
51115

Dimensions



d		75	mm
D		100	mm
H		19	mm
d ₁	≈	100	mm
D ₁	≈	77	mm
r _{1,2}	min.	1	mm

Abutment dimensions



d _a	min.	90	mm
D _a	max.	85	mm
r _a	max.	1	mm

Calculation data

Basic dynamic load rating	C	44.2	kN
Basic static load rating	C	134	kN
Fatigue load limit	P _u	4.9	kN
Reference speed		3200	r/min
Limiting speed		4300	r/min
Minimum load factor	A	0.11	

Mass

Mass bearing (including seat washer where applicable)		0.4	kg
---	--	-----	----