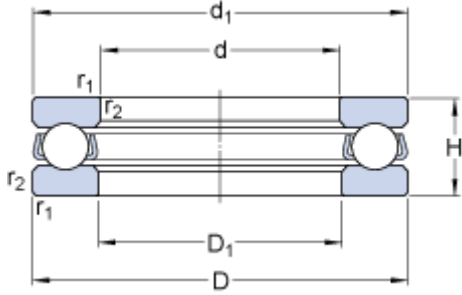


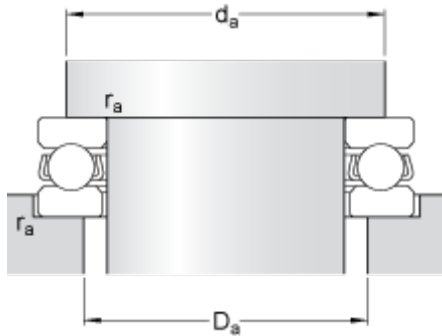
51114

Dimensions



d	70	mm
D	95	mm
H	18	mm
d ₁	≈ 95	mm
D ₁	≈ 72	mm
r _{1,2}	min. 1	mm

Abutment dimensions



d _a	min.	85	mm
D _a	max.	80	mm
r _a	max.	1	mm

Calculation data

Basic dynamic load rating	C	40.3	kN
Basic static load rating	C	120	kN
Fatigue load limit	P _u	4.4	kN
Reference speed		3400	r/min
Limiting speed		4500	r/min
Minimum load factor	A	0.074	

Mass

Mass bearing (including seat washer where applicable)	0.35	kg
---	------	----