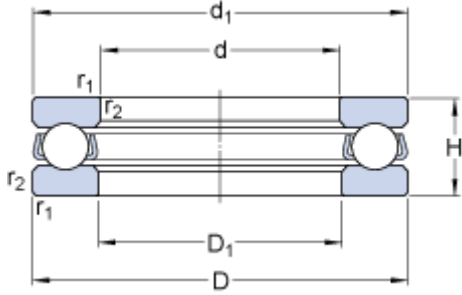


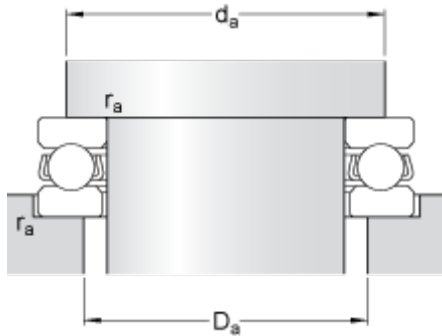
# 51111

## Dimensions



d		55	mm
D		78	mm
H		16	mm
d <sub>1</sub>	≈	78	mm
D <sub>1</sub>	≈	57	mm
r <sub>1,2</sub>	min.	0.6	mm

## Abutment dimensions



d <sub>a</sub>	min.	69	mm
D <sub>a</sub>	max.	64	mm
r <sub>a</sub>	max.	0.6	mm

## Calculation data

Basic dynamic load rating	C	30.2	kN
Basic static load rating	C	81.5	kN
Fatigue load limit	P <sub>u</sub>	3	kN
Reference speed		3800	r/min
Limiting speed		5300	r/min
Minimum load factor	A	0.039	

## Mass

Mass bearing (including seat washer where applicable)		0.23	kg
---	--	------	----