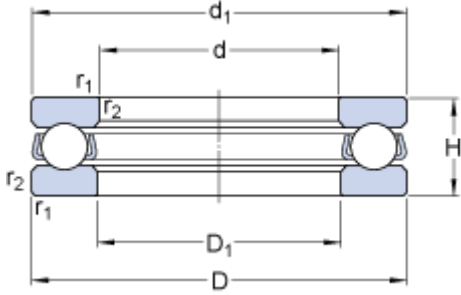


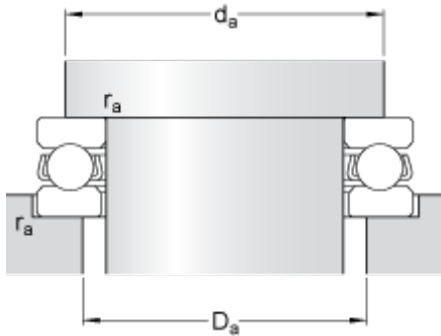
# 51107

## Dimensions



d		35	mm
D		52	mm
H		12	mm
d <sub>1</sub>	≈	52	mm
D <sub>1</sub>	≈	37	mm
r <sub>1,2</sub>	min.	0.6	mm

## Abutment dimensions



d <sub>a</sub>	min.	45	mm
D <sub>a</sub>	max.	42	mm
r <sub>a</sub>	max.	0.6	mm

## Calculation data

Basic dynamic load rating	C	19.9	kN
Basic static load rating	C	51	kN
Fatigue load limit	P <sub>u</sub>	1.86	kN
Reference speed		5600	r/min
Limiting speed		7500	r/min
Minimum load factor	A	0.013	

## Mass

Mass bearing (including seat washer where applicable)		0.08	kg
---	--	------	----