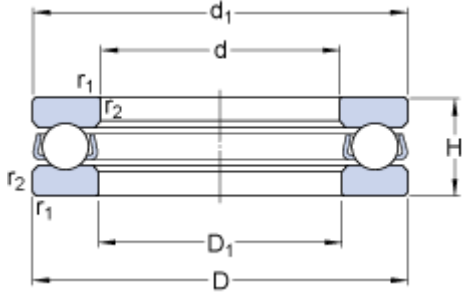


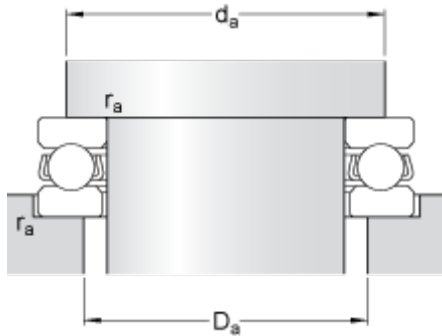
51106

Dimensions



d	30	mm
D	47	mm
H	11	mm
d ₁	≈ 47	mm
D ₁	≈ 32	mm
r _{1,2}	min. 0.6	mm

Abutment dimensions



d _a	min. 40	mm
D _a	max. 37	mm
r _a	max. 0.6	mm

Calculation data

Basic dynamic load rating	C	19	kN
Basic static load rating	C	43	kN
Fatigue load limit	P _u	1.6	kN
Reference speed		6000	r/min
Limiting speed		8500	r/min
Minimum load factor	A	0.0096	

Mass

Mass bearing (including seat washer where applicable)		0.063	kg
---	--	-------	----