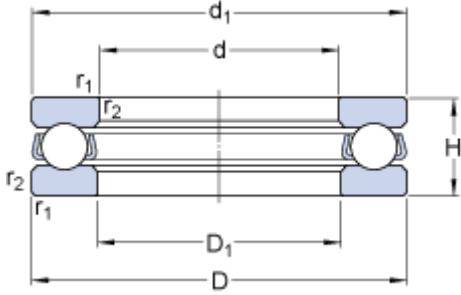


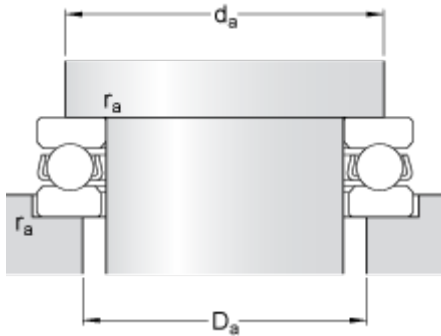
51105

Dimensions



d	25	mm
D	42	mm
H	11	mm
d ₁	≈ 42	mm
D ₁	≈ 26	mm
r _{1,2}	min. 0.6	mm

Abutment dimensions



d _a	min.	35	mm
D _a	max.	32	mm
r _a	max.	0.6	mm

Calculation data

Basic dynamic load rating	C	18.2	kN
Basic static load rating	C	39	kN
Fatigue load limit	P _u	1.43	kN
Reference speed		6300	r/min
Limiting speed		9000	r/min
Minimum load factor	A	0.0079	

Mass

Mass bearing (including seat washer where applicable)		0.056	kg
-------------------------------------------------------	--	-------	----