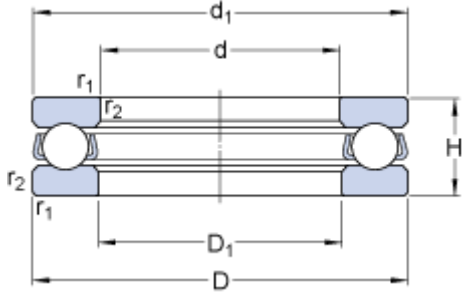


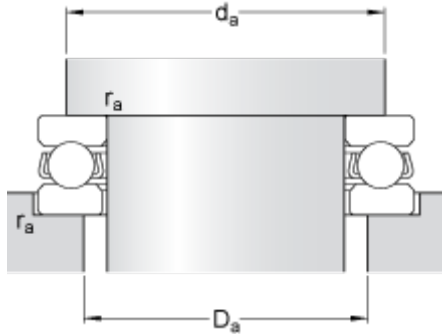
51104

Dimensions



d		20	mm
D		35	mm
H		10	mm
d_1	\approx	35	mm
D_1	\approx	21	mm
$r_{1,2}$	min.	0.3	mm

Abutment dimensions



d_a	min.	29	mm
D_a	max.	26	mm
r_a	max.	0.3	mm

Calculation data

Basic dynamic load rating	C	15.1	kN
Basic static load rating	C	29	kN
Fatigue load limit	P_u	1.08	kN
Reference speed		7500	r/min
Limiting speed		10000	r/min
Minimum load factor	A	0.0044	

Mass

Mass bearing (including seat washer where applicable)		0.037	kg
---	--	-------	----