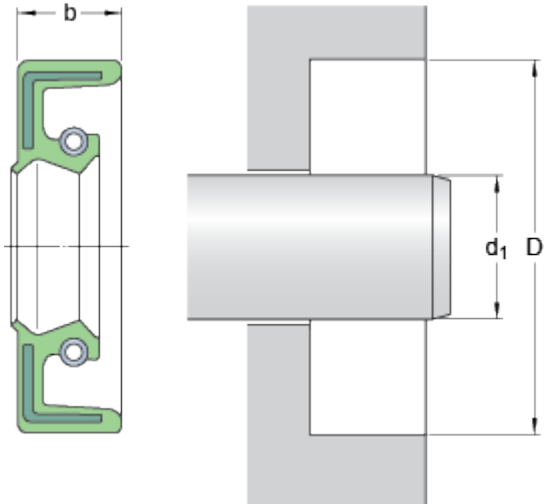


# 50x68x7 HMSA7P2 R

## Dimensions



$d_1$	50	mm
D	68	mm
b	7	mm

## Application and operating conditions

Operating temperature	min.	-40	°C
Operating temperature	max.	100	°C
Operating temperature, short period	max.	120	°C