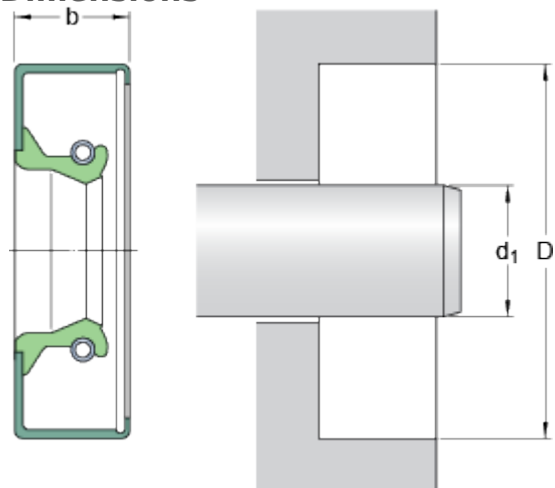


45x65x8 CRW1 V

Dimensions



| | | |
|-------|----|----|
| d_1 | 45 | mm |
| D | 65 | mm |
| b | 8 | mm |

Application and operating conditions

| | | | |
|-------------------------------------|------|------|-------|
| Pressure differential | max. | 0.07 | MPa |
| Operating temperature | min. | -40 | °C |
| Operating temperature | max. | 200 | °C |
| Operating temperature, short period | max. | 220 | °C |
| Rotational speed | max. | 7639 | r/min |
| Shaft surface speed | max. | 18 | m/s |