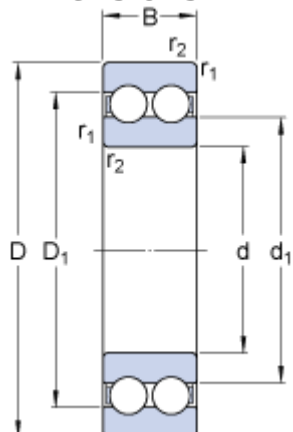


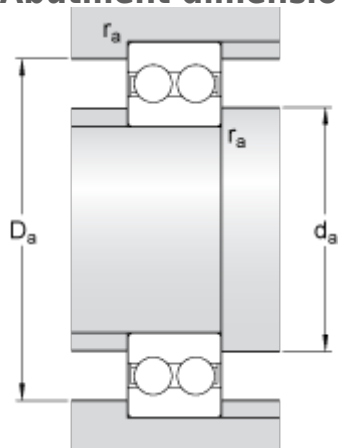
# 4312 ATN9

## Dimensions



$d$		60	mm
$D$		130	mm
$B$		46	mm
$d_1$	$\approx$	83.1	mm
$D_1$	$\approx$	107	mm
$r_{1,2}$	min.	2.1	mm

## Abutment dimensions



$d_a$	min.	72	mm
$D_a$	max.	118	mm
$r_a$	max.	2	mm

## Calculation data

Basic dynamic load rating	C	112	kN
Basic static load rating	C	98	kN
Fatigue load limit	$P_u$	4.15	kN
Reference speed		8500	r/min
Limiting speed		4500	r/min
Calculation factor	$k_r$	0.06	
Calculation factor	f	14	

## Mass

Mass bearing		2.65	kg
--------------	--	------	----