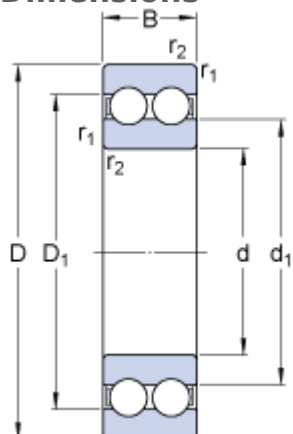


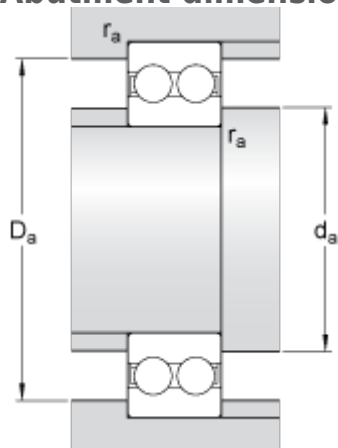
4308 ATN9

Dimensions



d		40	mm
D		90	mm
B		33	mm
d_1	≈	56.9	mm
D_1	≈	73.1	mm
$r_{1,2}$	min.	1.5	mm

Abutment dimensions



d_a	min.	49	mm
D_a	max.	81	mm
r_a	max.	1.5	mm

Calculation data

Basic dynamic load rating	C	55.9	kN
Basic static load rating	C	45	kN
Fatigue load limit	P_u	1.9	kN
Reference speed		12000	r/min
Limiting speed		6700	r/min
Calculation factor	k_r	0.06	
Calculation factor	f	13.8	

Mass

Mass bearing		0.95	kg
--------------	--	------	----