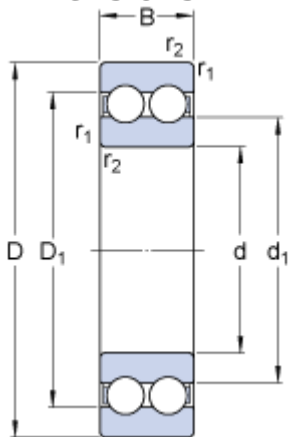


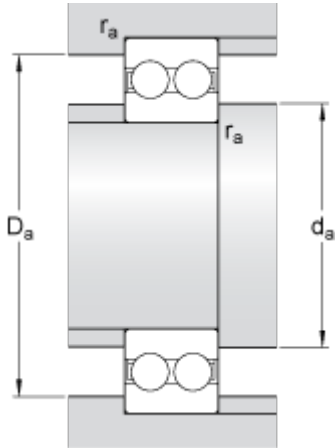
4305 ATN9

Dimensions



d		25	mm
D		62	mm
B		24	mm
d_1	≈	37.3	mm
D_1	≈	49.7	mm
$r_{1,2}$	min.	1.1	mm

Abutment dimensions



d_a	min.	32	mm
D_a	max.	55	mm
r_a	max.	1	mm

Calculation data

Basic dynamic load rating	C	31.9	kN
Basic static load rating	C	22.4	kN
Fatigue load limit	P_u	0.95	kN
Reference speed		18000	r/min
Limiting speed		10000	r/min
Calculation factor	k_r	0.06	
Calculation factor	f	13.1	

Mass

Mass bearing		0.34	kg
--------------	--	------	----