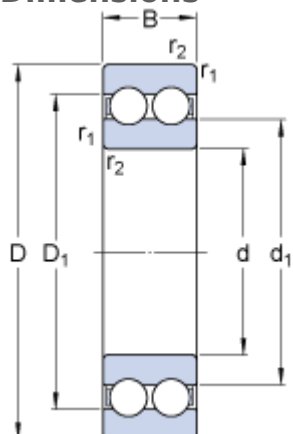


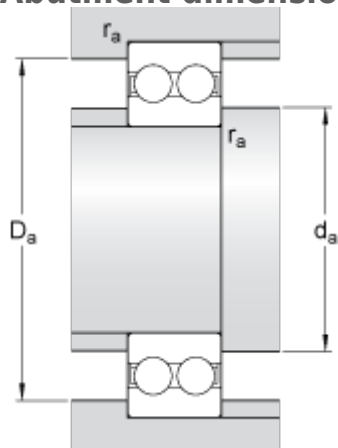
# 4303 ATN9

## Dimensions



d		17	mm
D		47	mm
B		19	mm
d <sub>1</sub>	≈	28.7	mm
D <sub>1</sub>	≈	38.3	mm
r <sub>1,2</sub>	min.	1	mm

## Abutment dimensions



d <sub>a</sub>	min.	22.6	mm
D <sub>a</sub>	max.	41.4	mm
r <sub>a</sub>	max.	1	mm

## Calculation data

Basic dynamic load rating	C	19.5	kN
Basic static load rating	C	13.2	kN
Fatigue load limit	P <sub>u</sub>	0.56	kN
Reference speed		24000	r/min
Limiting speed		13000	r/min
Calculation factor	k <sub>r</sub>	0.06	
Calculation factor	f	13.1	

## Mass

Mass bearing		0.16	kg
--------------	--	------	----