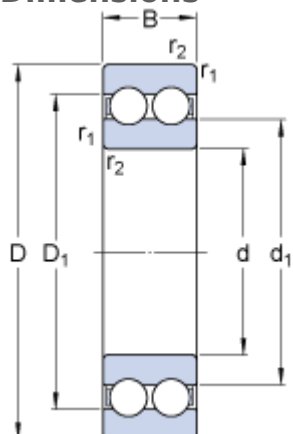


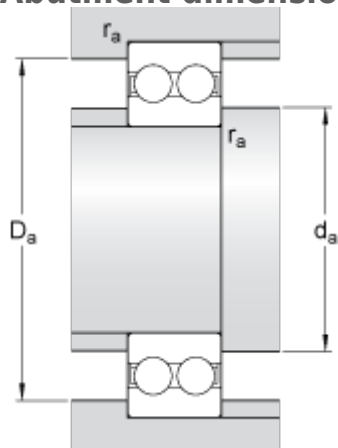
4302 ATN9

Dimensions



| | | | |
|-----------|-----------|------|----|
| d | | 15 | mm |
| D | | 42 | mm |
| B | | 17 | mm |
| d_1 | \approx | 24.5 | mm |
| D_1 | \approx | 32.5 | mm |
| $r_{1,2}$ | min. | 1 | mm |

Abutment dimensions



| | | | |
|-------|------|------|----|
| d_a | min. | 20.6 | mm |
| D_a | max. | 36.4 | mm |
| r_a | max. | 1 | mm |

Calculation data

| | | | |
|---------------------------|-------|-------|-------|
| Basic dynamic load rating | C | 14.8 | kN |
| Basic static load rating | C | 9.5 | kN |
| Fatigue load limit | P_u | 0.405 | kN |
| Reference speed | | 28000 | r/min |
| Limiting speed | | 15000 | r/min |
| Calculation factor | k_r | 0.06 | |
| Calculation factor | f | 13.1 | |

Mass

| | | | |
|--------------|--|------|----|
| Mass bearing | | 0.12 | kg |
|--------------|--|------|----|