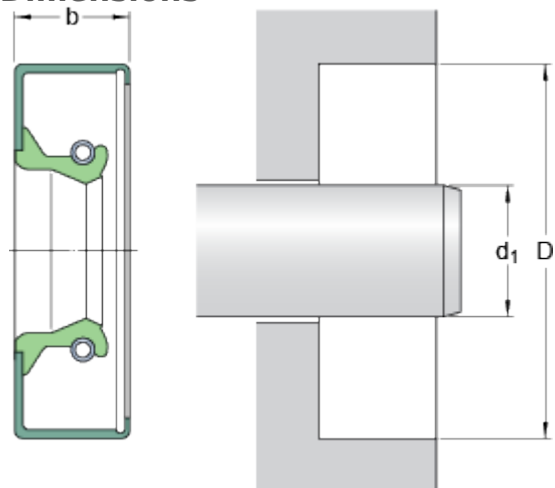


# 42x56x7 CRW1 V

## Dimensions



$d_1$	42	mm
D	56	mm
b	7	mm

## Application and operating conditions

Pressure differential	max.	0.07	MPa
Operating temperature	min.	-40	°C
Operating temperature	max.	200	°C
Operating temperature, short period	max.	220	°C
Rotational speed	max.	8185	r/min
Shaft surface speed	max.	18	m/s