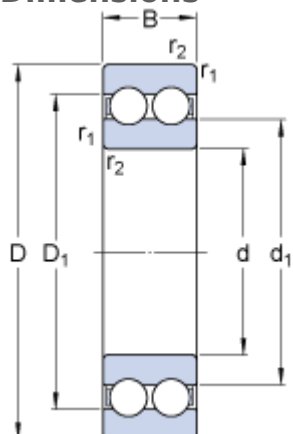


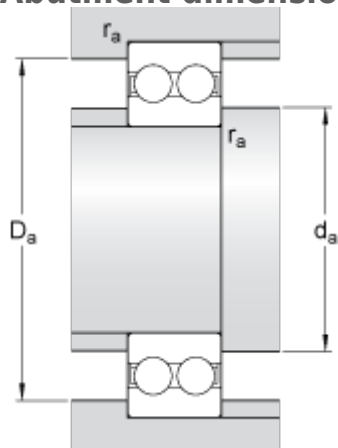
4214 ATN9

Dimensions



d		70	mm
D		125	mm
B		31	mm
d_1	≈	89.4	mm
D_1	≈	105.6	mm
$r_{1,2}$	min.	1.5	mm

Abutment dimensions



d_a	min.	79	mm
D_a	max.	116	mm
r_a	max.	1.5	mm

Calculation data

Basic dynamic load rating	C	70.2	kN
Basic static load rating	C	73.5	kN
Fatigue load limit	P_u	3.1	kN
Reference speed		8000	r/min
Limiting speed		4300	r/min
Calculation factor	k_r	0.05	
Calculation factor	f	15	

Mass

Mass bearing		1.5	kg
--------------	--	-----	----