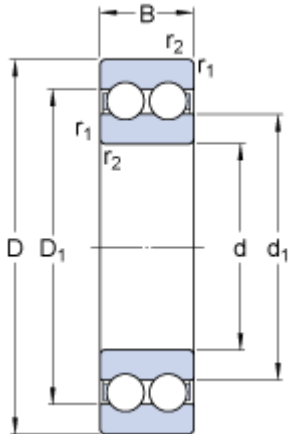


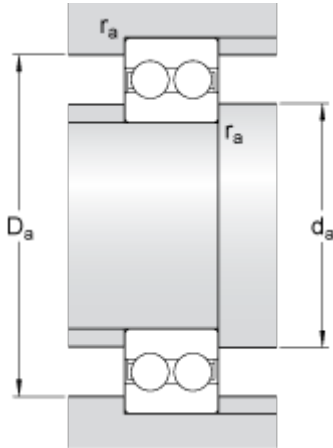
# 4212 ATN9

## Dimensions



d		60	mm
D		110	mm
B		28	mm
d <sub>1</sub>	≈	75.6	mm
D <sub>1</sub>	≈	90.4	mm
r <sub>1,2</sub>	min.	1.5	mm

## Abutment dimensions



d <sub>a</sub>	min.	69	mm
D <sub>a</sub>	max.	101	mm
r <sub>a</sub>	max.	1.5	mm

## Calculation data

Basic dynamic load rating	C	57.2	kN
Basic static load rating	C	55	kN
Fatigue load limit	P <sub>u</sub>	2.36	kN
Reference speed		9500	r/min
Limiting speed		5300	r/min
Calculation factor	k <sub>r</sub>	0.05	
Calculation factor	f	15	

## Mass

Mass bearing		1.1	kg
--------------	--	-----	----