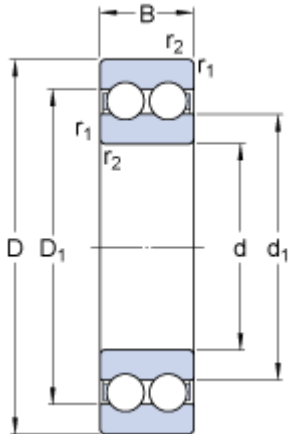


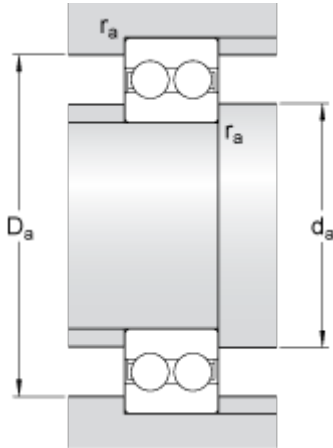
# 4211 ATN9

## Dimensions



|           |           |      |    |
|-----------|-----------|------|----|
| $d$       |           | 55   | mm |
| $D$       |           | 100  | mm |
| $B$       |           | 25   | mm |
| $d_1$     | $\approx$ | 71.2 | mm |
| $D_1$     | $\approx$ | 83.8 | mm |
| $r_{1,2}$ | min.      | 1.5  | mm |

## Abutment dimensions



|       |      |     |    |
|-------|------|-----|----|
| $d_a$ | min. | 64  | mm |
| $D_a$ | max. | 91  | mm |
| $r_a$ | max. | 1.5 | mm |

## Calculation data

|                           |       |       |       |
|---------------------------|-------|-------|-------|
| Basic dynamic load rating | C     | 44.9  | kN    |
| Basic static load rating  | C     | 44    | kN    |
| Fatigue load limit        | $P_u$ | 1.9   | kN    |
| Reference speed           |       | 10000 | r/min |
| Limiting speed            |       | 5600  | r/min |
| Calculation factor        | $k_r$ | 0.05  |       |
| Calculation factor        | $f$   | 16    |       |

## Mass

|              |  |     |    |
|--------------|--|-----|----|
| Mass bearing |  | 0.8 | kg |
|--------------|--|-----|----|