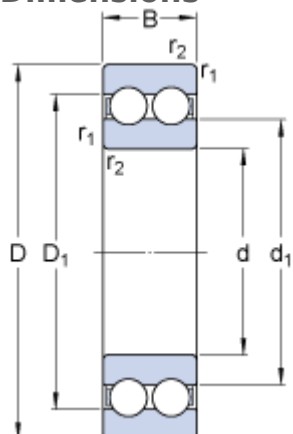


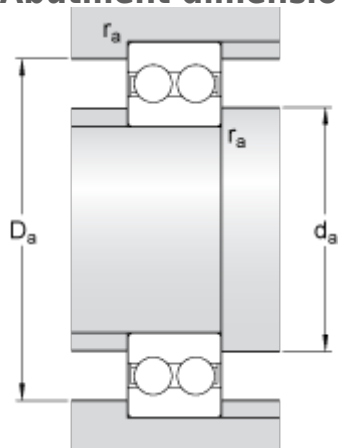
# 4210 ATN9

## Dimensions



$d$		50	mm
$D$		90	mm
$B$		23	mm
$d_1$	≈	65.5	mm
$D_1$	≈	77.5	mm
$r_{1,2}$	min.	1.1	mm

## Abutment dimensions



$d_a$	min.	57	mm
$D_a$	max.	83	mm
$r_a$	max.	1	mm

## Calculation data

Basic dynamic load rating	C	41	kN
Basic static load rating	C	40	kN
Fatigue load limit	$P_u$	1.7	kN
Reference speed		11000	r/min
Limiting speed		6000	r/min
Calculation factor	$k_r$	0.05	
Calculation factor	f	15	

## Mass

Mass bearing		0.58	kg
--------------	--	------	----