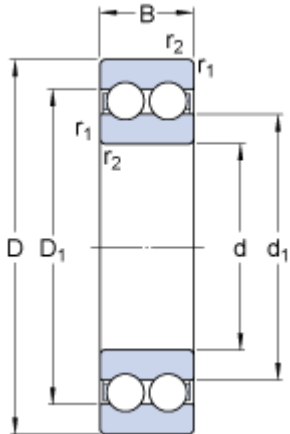


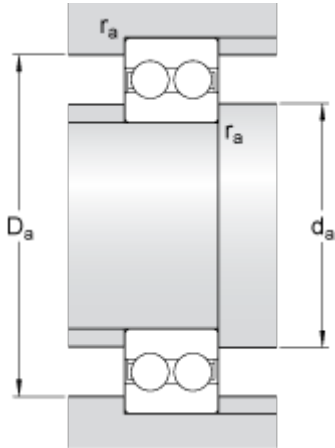
4209 ATN9

Dimensions



d		45	mm
D		85	mm
B		23	mm
d_1	≈	59.5	mm
D_1	≈	71.5	mm
$r_{1,2}$	min.	1.1	mm

Abutment dimensions



d_a	min.	52	mm
D_a	max.	78	mm
r_a	max.	1	mm

Calculation data

Basic dynamic load rating	C	39	kN
Basic static load rating	C	36	kN
Fatigue load limit	P_u	1.53	kN
Reference speed		12000	r/min
Limiting speed		6700	r/min
Calculation factor	k_r	0.05	
Calculation factor	f	15.1	

Mass

Mass bearing		0.54	kg
--------------	--	------	----